

# INDUSTRIAL | S-LINE



- Chinese
- English**
- French
- German
- Hungarian
- Italian
- Russian
- Slovenian
- Spanish
- Turkish

mobile space solutions  
[www.r-zs.com](http://www.r-zs.com)



# RÖDER INDUSTRIAL REQUIREMENTS & SOLUTIONS

13.200 m<sup>2</sup>

USABLE AREA

8 Months

TIME FRAME

10,0 x 10,0 m S-LINE (6 Pcs.)  
10,0 x 20,0 m S-LINE (6 Pcs.)  
15,0 x 10,0 m S-LINE (4 Pcs.)  
15,0 x 20,0 m S-LINE (8 Pcs.)  
20,0 x 60,0 m S-LINE (7 Pcs.)  
HALL SYSTEM

Special design of gable for installation of large-scale gate systems  
EQUIPMENT

**Storage solution for glass manufacturing industrial**

800 m<sup>2</sup>

USABLE AREA

10 Years

TIME FRAME

15,0 x 50,0 m S-LINE  
HALL SYSTEM

Sheet walls, condensation protection by downstand beam tarpaulin  
EQUIPMENT

**Museum „The army of terracotta warriors“ on the island Usedom**

7.200 m<sup>2</sup>

USABLE AREA

2 Years

TIME FRAME

30,0 x 80,0 m H-LINE (3 Pcs.)  
HALL SYSTEM

Truck ramps  
Electric rolling gates  
Facade made of isopanel  
EQUIPMENT

**Goods handling for a logistics center**



30.000 m<sup>2</sup>

USABLE AREA

3 Years

TIME FRAME

50 x 100 m Special design  
50 x 105 m Special design  
50 x 90 m Special design  
S-LINE as garage systems  
HALL SYSTEM

Special design with 15,0 m side height  
Translucent and opaque tarpaulin  
EQUIPMENT

**Large covering to the soil cleanup of an  
environmental service provider in France**

2.400 m<sup>2</sup>

USABLE AREA

5 Years

TIME FRAME

20,0 x 60,0 m T-LINE  
(2 Pcs.)  
HALL SYSTEM

Electric rolling gate with  
escape and entrance door  
EQUIPMENT

**Warehouse in Turkey**

2.400 m<sup>2</sup>

USABLE AREA

5 Months

TIME FRAME

20,0 x 120,0 m S-LINE  
HALL SYSTEM

Anchor-free setup  
with ballast  
Hall system installed  
on moveable rails  
EQUIPMENT

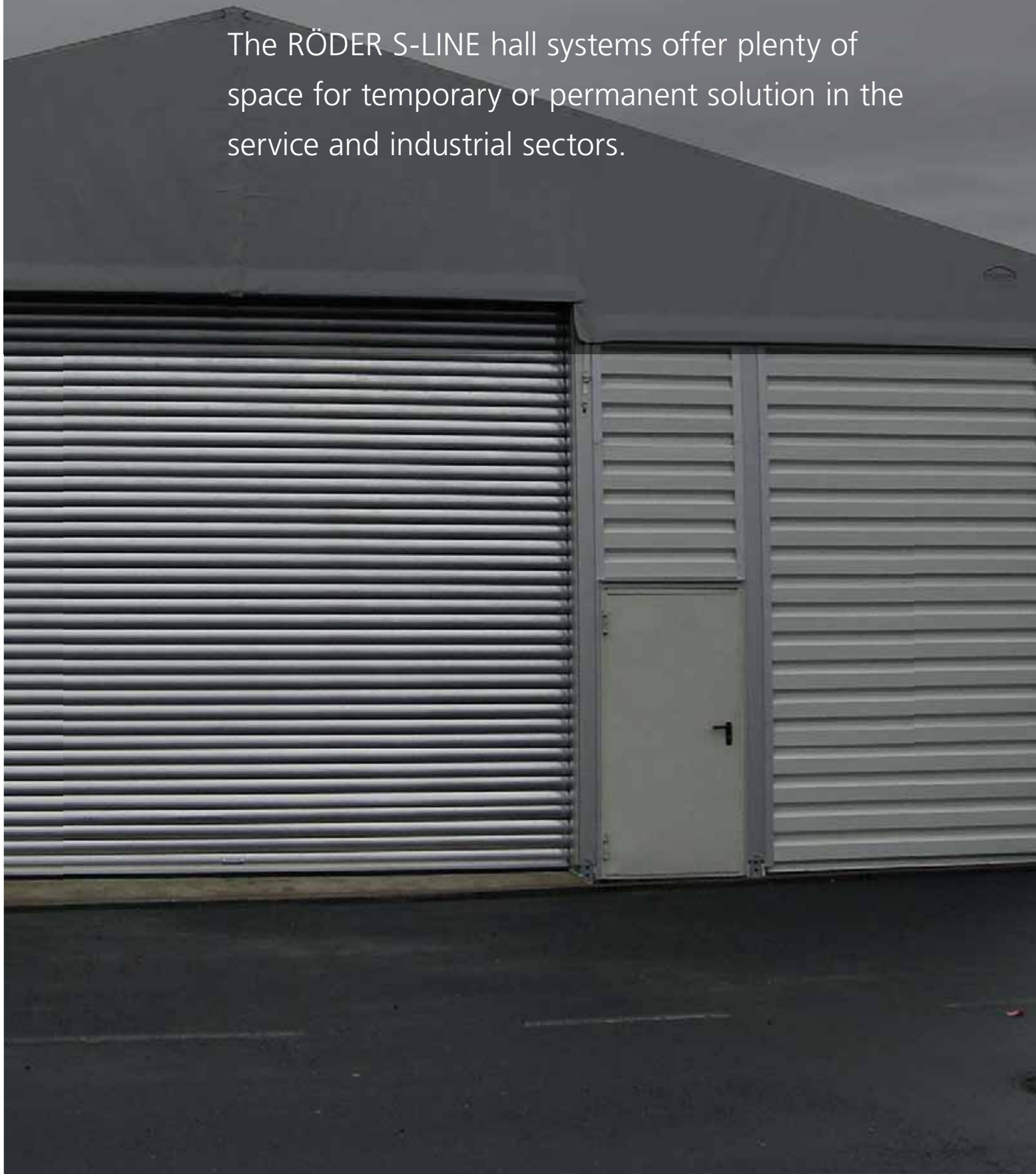
**Bridge covering for  
rehabilitation work**



---

## » FLEXIBLE AND ECONOMICAL

The RÖDER S-LINE hall systems offer plenty of space for temporary or permanent solution in the service and industrial sectors.






---

## TEMPORARY OR PERMANENT

---

Service and industrial companies need spaces that fit shapes to meet the specific requirements. Often, fast, economical and flexible solutions are needed.

RÖDER INDUSTRIAL is specialized in the space requirements of services and industrial companies. As experts in mobile and modular hall systems RÖDER group knows the requirements of the particular branches.

The warehouse and logistics solution RÖDER S-LINE convinces in both safety and efficiency. Flexible and modular spans, lengths and heights allow a variety of applications. The simple use of earth or screw anchors, heavy duty anchors, spot or strip footings is sufficient for the installation. Thus, the installation costs reduce.

Due to the sustainable mobility and sophisticated design, the system is in contrast to traditional halls quickly mounted and installed at almost any location within a very short time. To complement the individual halls RÖDER Group offers a wide range of accessories. The accessories range from facade elements, specific door and gate systems, as well as various types of tarpaulins to floor, heating, air-conditioning and lighting systems.

Come and speak to us in person to find out which Industrial series tent best meets your requirements. The RÖDER team looks forward to helping you find the perfect accommodation!

---

## » WIDE RANGE OF APPLICATIONS

RÖDER S-LINE solutions offer space for expansion as well as for versatile possibilities. The hall systems fits through the modular design every space requirement.





POSSIBLE APPLICATIONS

**LOGISTIC SOLUTIONS SALES ROOM WORKSHOP  
STORAGE SOLUTION PRODUCTION HUB DEPOT  
MARKET HALL GOODS HANDLING COVERING  
OFFICE SOLUTION STUDIO CONSTRUCTION SITES  
PLANT CONSTRUCTION CLIMATE ZONES COLD  
STORAGE SPEDITION GARAGE ORDER PEAKS OVER  
PRODUCTION OUTSOURCING DISTRIBUTION INDUSTRY**



**MOBILE AND  
VERSATILE**



## TECHNICAL DATA

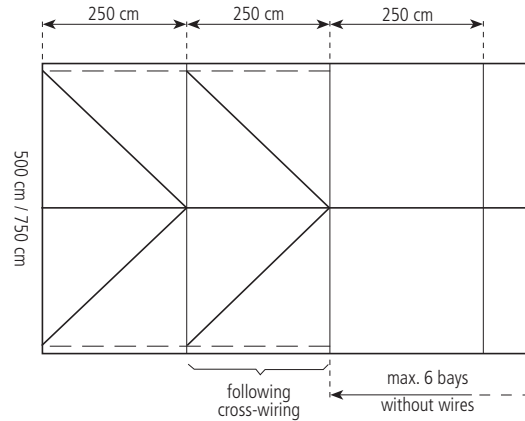
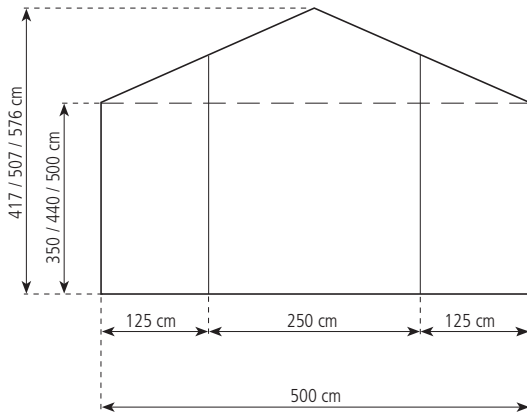
# INDUSTRIAL TENTS | S-LINE

### STANDARD VERSION

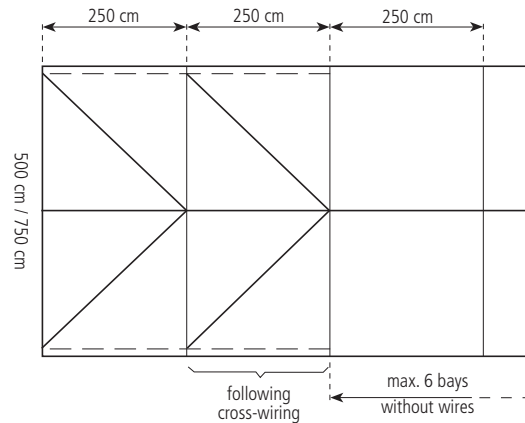
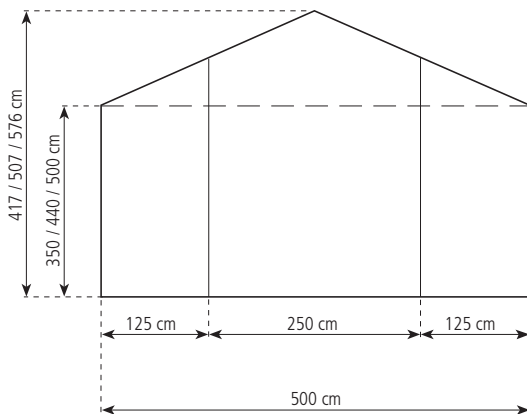
Span	500 cm	750 cm	1.000 cm
Side height	350 / 440 / 500 cm	350 / 440 / 500 cm	350 / 440 / 500 cm
Ridge height	417 / 507 / 576 cm	450 / 540 / 610 cm	484 / 574 / 643 cm
Roof pitch	15 °	15 °	15 °
Bay distance / grid	250 cm	250 cm	250 cm
Longest component	400 cm	420 cm	525 cm
Gable column	2	2	2
Min. setup length	500 cm	500 cm	500 cm
Max. setup length	Expandable with the grid		
Main profile	130 x 88 x 3 mm / 170 x 88 x 3 mm		
Max. wind speed according to EN	100 km/h		
Snowload	1,31 kN/m <sup>2</sup>		
Tarpaulin	RÖDER No. 1, PVDF coated tarpaulin, according to EN 15619		
Special design	<ul style="list-style-type: none"> <li>Rolling gates or doors; Sizes on request</li> <li>Trapeziodal sheet wall covering, stored in track bed on roles movable</li> </ul>		



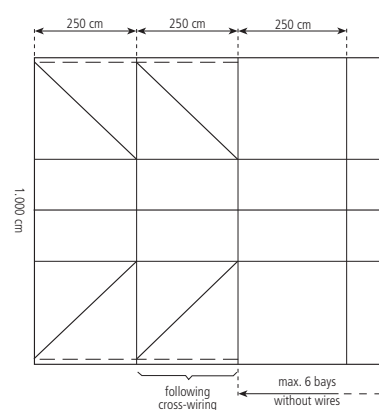
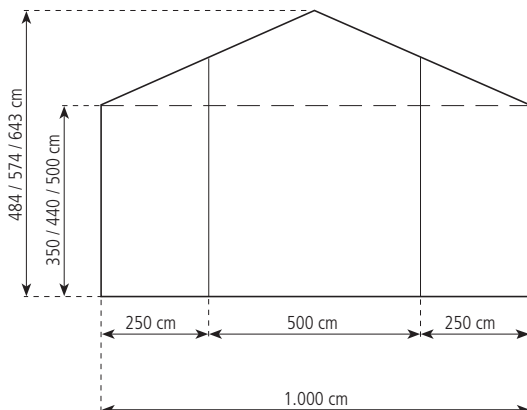
## S-LINE 500/350/417 & 500/440/507 & 500/500/576



## S-LINE 750/350/450 & 750/440/540 & 750/500/610



## S-LINE 1.000/350/484 & 1.000/440/574 & 1.000/500/643



### QUESTIONS AND COMMENTS

We have provided you with a summary of the main data and measurements of our standard constructions. No guarantee can be made for the accuracy of the information given. We cannot be held liable for printing or spelling errors. We would be happy to meet with you personally to help you find the perfect accommodation to match your requirements. If you have any questions on further measurements, specialist constructions, extensions or remodeling, or if you require further technical data, the RÖDER team will be happy to help.



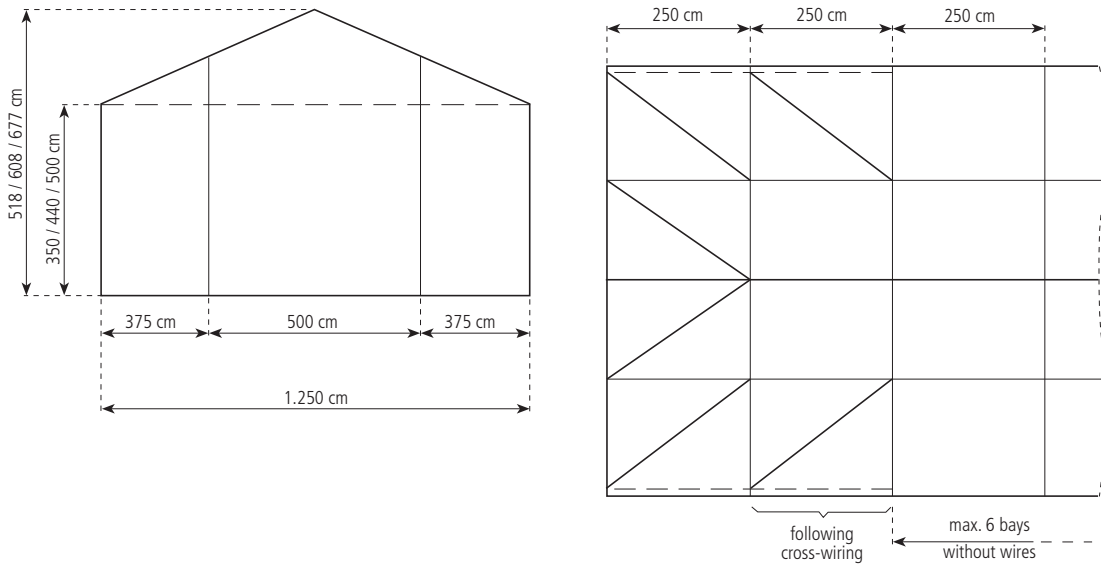
## TECHNICAL DATA

# INDUSTRIAL TENT | S-LINE

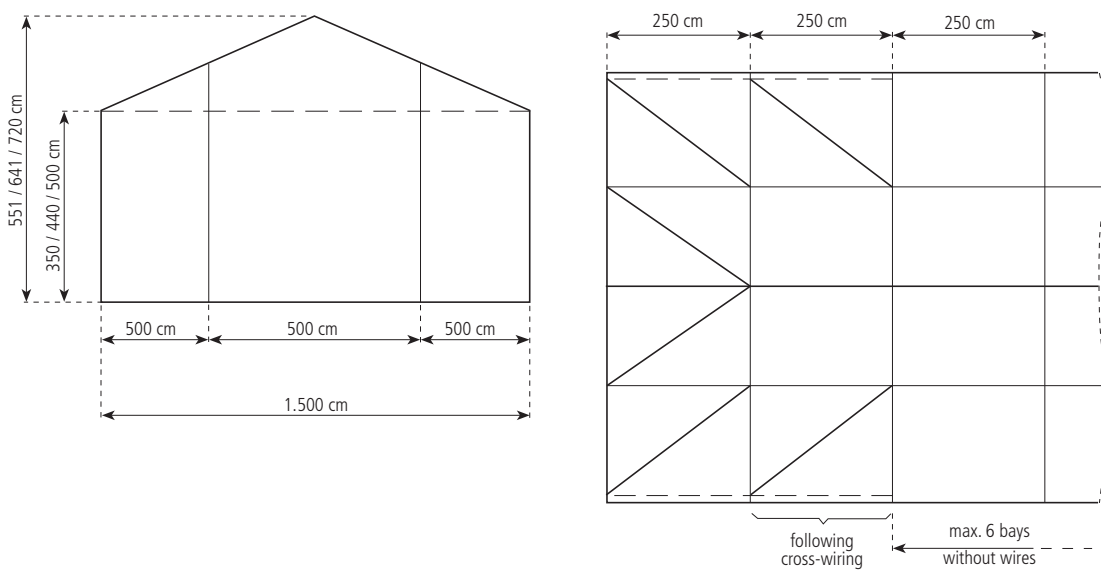
### STANDARD VERSION

Span	1.250 cm	1.500 cm
Side height	350 / 440 / 500 cm	350 / 440 / 500 cm
Ridge height	518 / 608 / 677 cm	551 / 641 / 720 cm
Roof pitch	15 °	15 °
Bay distance / grid	250 cm	250 cm
Longest component	656 / 656 / 668 cm	785 / 785 / 701 cm
Gable column	2	2
Min. setup length	750 cm	1.000 cm
Max. setup length	Expandable with the grid	
Main profile	170 x 88 x 3 mm	220 x 100 x 3 mm
Max. wind speed according to EN	100 km/h	
Snowload	1,31 kN/m <sup>2</sup>	
Tarpaulin	RÖDER No. 1, PVDF coated tarpaulin, according to EN 15619	
Special design	<ul style="list-style-type: none"> <li>• Sliding gates, rolling gates or doors; Sizes on request</li> <li>• Trapeziodal sheet wall covering, stored in track bed on roles movable</li> </ul>	

## S-LINE 1.250/350/518 & 1.250/440/608 & 1.250/500/677



## S-LINE 1.500/350/551 & 1.500/440/641 & 1.500/500/720



### QUESTIONS AND COMMENTS

We have provided you with a summary of the main data and measurements of our standard constructions. No guarantee can be made for the accuracy of the information given. We cannot be held liable for printing or spelling errors. We would be happy to meet with you personally to help you find the perfect accommodation to match your requirements. If you have any questions on further measurements, specialist constructions, extensions or remodeling, or if you require further technical data, the RÖDER team will be happy to help.



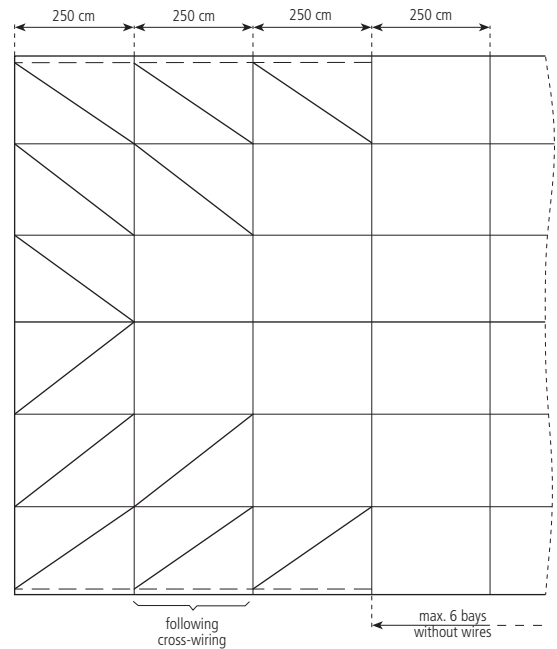
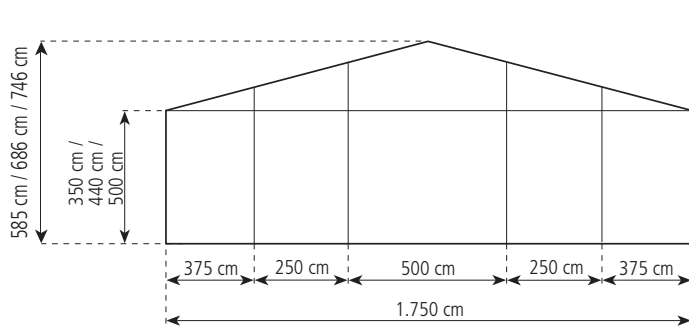
## TECHNICAL DATA

# INDUSTRIAL TENT | S-LINE

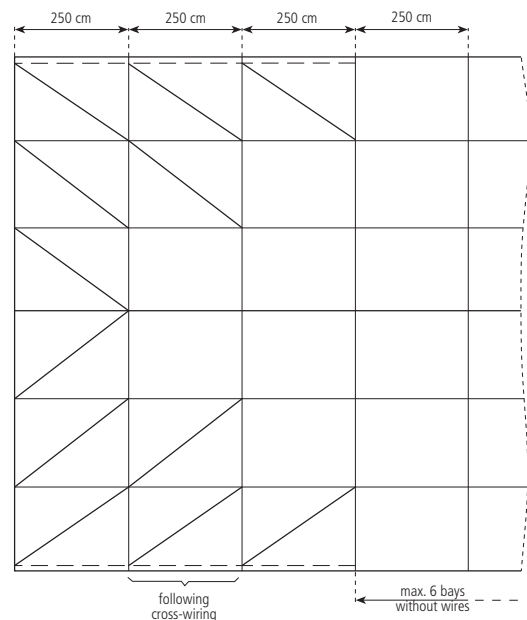
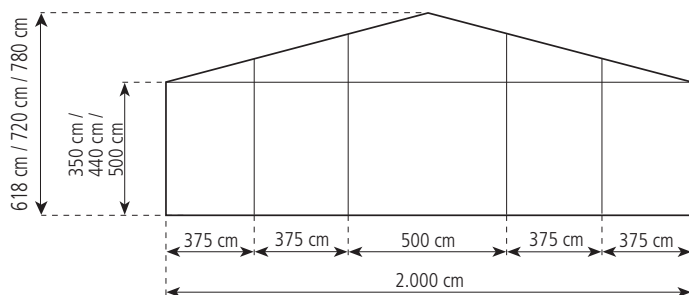
### STANDARD VERSION

Span	1.750 cm	2.000 cm
Side height	350 / 440 / 500 cm	350 / 440 / 500 cm
Ridge height	585 / 686 / 746 cm	618 / 720 / 780 cm
Roof pitch	15 °	15 °
Bay distance / grid	250 cm	250 cm
Longest component	915 cm	1.044 cm
Gable column	4	4
Min. setup length	1.500 cm	1.500 cm
Max. setup length	Expandable with the grid	
Main profile	220 x 100 x 3/4 mm	
Max. wind speed according to EN	100 km/h	
Snowload	1,31 kN/m <sup>2</sup>	
Tarpaulin	RÖDER No. 1, PVDF coated tarpaulin, according to EN 15619	
Special design	<ul style="list-style-type: none"> <li>• Sliding gates, rolling gates or doors; Sizes on request</li> <li>• Trapeziodal sheet wall covering, stored in track bed on roles movable</li> </ul>	

## S-LINE 1.750/350/585 & 1.750/440/686 & 1.750/500/746



## S-LINE 2.000/350/618 & 2.000/440/720 & 2.000/500/780



### QUESTIONS AND COMMENTS

We have provided you with a summary of the main data and measurements of our standard constructions. No guarantee can be made for the accuracy of the information given. We cannot be held liable for printing or spelling errors. We would be happy to meet with you personally to help you find the perfect accommodation to match your requirements. If you have any questions on further measurements, specialist constructions, extensions or remodeling, or if you require further technical data, the RÖDER team will be happy to help.



## EQUIPMENT FEATURES S-LINE

---

### ADAPTABLE AND MODULAR

---

#### WELL-THOUGHT STABILITY

The hall system of the RÖDER S-LINE can be installed quickly and uncomplicated by stable and solid connection elements as well as without substance loss. A thought-out interplay of all straps and connection elements guarantees statically checked high stability. The standard scope of supply can be completed with further expansion and equipment components. The RÖDER S-LINE solution is flexible and modular.



#### 1. Roof tarpaulin

Roofing made of PVC tarpaulin allows you to work in daylight, a flexible extension or shortening of the hall and reduction of its own weight.

#### 2. Facade system

Wall covering made of PVC tarpaulin.

#### 3. Door and gate systems

For example electrical rolling gate with escape and entrance (special attachment)

#### 4. Gutter system

Titanium galvanized gutter with drain and push down tensioning for the roof tarpaulin

#### 5. Stability

RÖDER guarantees a high level of stability on almost any terrain.



#### INCLUDED IN DELIVERY

Frame construction with anodized aluminum profiles

White roof and side tarpaulins

Tarpaulin sliding gate in the gable

Pegs for ground attachment

Assembly bar and tarpaulin elevator ropes

#### SPECIAL EQUIPMENT

Windows for the side tarpaulins

Various floor systems

Sewage and gutter system

Lighting

Facade systems

Interior tarpaulins to protect against condensation

#### DESCRIPTION OF FRAME MATERIAL

High strength aluminum profile with four-channel keder system

Eave purlins and all other steel sections galvanized

Connection elements made of galvanized steel

Static calculated according to EN 13782 or permanent construction

#### DESCRIPTION OF TARPAULIN MATERIAL

RÖDER No. 1, PVDF-coated tarpaulins produced in line with EN 15619

Classified as 'difficult to ignite' by DIN 4102 and EN 13501

Dirt-repellent and lightfast  
Lets daylight through and is UV-resistant

Low-wick coated polyester threads

3.



4.



5.



---

**DURABLE AND  
HIGH-QUALITY**

---





# TECHNICAL FEATURES

## DECADES OF EXPERIENCE

The RÖDER Group uses only the most qualified staff, the best materials and constantly draws on its decades of experience in the field of temporary accommodation – right from the very start of the construction and production process of the tent and marquee systems. We achieve high customer satisfaction through quality and safety. Continuous and reliable quality management means we can place our trust in the materials we use. The RÖDER Group is certified according to the European standards EN ISO 9001:2008 and EN ISO 14001:2009. All structures are calculated and tested in accordance with the European standard EN 13782.

1.



2.



### 1. Construction

The modular design principle allows various types of construction and expansion.

### 2. Equipment

RÖDER offers many exclusive types of facades and equipment to go with its tent and marquee systems.

### 3. Logistics

Specialist partners take on the task of transporting the tent and marquee systems. As a trusted and known dispatcher, RÖDER benefits from a fast-track customs clearance process. This guarantees a just-in-time availability worldwide.

3.



4.



### 4. Production

RÖDER production is respectful to both people and the environment – worldwide.

The anodised aluminium frame is equipped with highly secure profiles and has two- or four-channel keder technology. The sophisticated keder technology makes it possible to expand the tents in many different ways – using the modular design principle. The keder technology also provides protection against bad weather and storms. Highly secure aluminium alloys and galvanized steel guarantee a long-life hold.

RÖDER conducts the planning in line with the minimum quality standards laid down by the EN 15619 product certification. The long-life RÖDER No.1 tarpaulins are equipped with polyester threads that have a special low-wick and PVDF coating. This increases their resistance against bad weather, prevents dirt building up on the surface and damp getting through. The tarpaulins are classified as 'difficult to ignite' by the standards DIN 4102 and EN 13501, are resistant against fungus and spores (fungicidal), and are UV-proof.

The setting up and dismantling is carried out with easily comprehensible economic and personnel resources.

---

## » EXPANSION OPTIONS

By combining with other RÖDER tent and hall systems as well as diverse and variable expansions new and continuous economical usable space arise.



# FULL-SERVICE



TARPAULINS & FACADE SYSTEMS



FLOOR SYSTEMS



STAIRS, BALCONIES, GALERIES & RAILINGS



HEATING & AIR CONDITIONING SYSTEMS



LIGHTING



KITCHEN & SANITARY INSTALLATIONS



INTERIOR, CLADDING & DECORATION



FENCE, SEPARATION & FLAG SYSTEMS

## DIVERSE AND VARIABLE



SECURITY SYSTEMS



DOOR & GATE SYSTEMS



ISO 9001:2008  
ISO 14001:2009  
REGISTERED FIRM

---

## ENGINEERED IN GERMANY

---

## QUALITY MANAGEMENT

**IN ALL PROCESSES, WE ENSURE THAT THE HIGHEST QUALITY AND SAFETY STANDARDS ARE COMPLIED WITH IN ORDER TO PROTECT OUR CUSTOMERS AND TO OFFER THEM THE BEST-LOOKING PRODUCT WITH THE BEST MATERIALS. THIS IS WHY QUALITY, SAFETY AND DURABILITY ARE FIRM COMPONENTS OF RÖDER'S COMPANY CULTURE.**

In order to optimise production and business processes and to maintain all safety guidelines so as to guarantee product quality and customer satisfaction, the RÖDER Group employs consistent, sustainable and thorough quality management. The concept of our quality management is based on internal and external input. All relevant processes are defined and documented – from the design phase, material selection and project planning right up to when the tent and marquee systems are given to the customers. As a high-end manufacturer, 'Engineered in Germany' and 'Made by RÖDER' is our promise of quality to our customers. Both our design expertise and quality management are therefore pivotal for the success of our products and trust of our customers.

The quality management systems, which are tested and certified in accordance with the **European standards EN ISO 9001:2008** and **EN ISO 14001:2009**, relate to the design, construction, production, sale and hiring out of RÖDER tent and marquee systems. In order to guarantee the quality promised by the RÖDER Group, all members of staff take part in regular external and internal training on quality and safety. All our temporary accommodation is inspected by TÜV in terms of construction, structure and the tarpaulins. In addition, the company receives external advice and supervision from Bavarian-based company inspectors, the LGA (**Landesgewerbeamt Bayern**).

---

## SUSTAINABLE AND ECOLOGICAL

---




---

### BENEFITS AND ADDED VALUE OVERVIEW

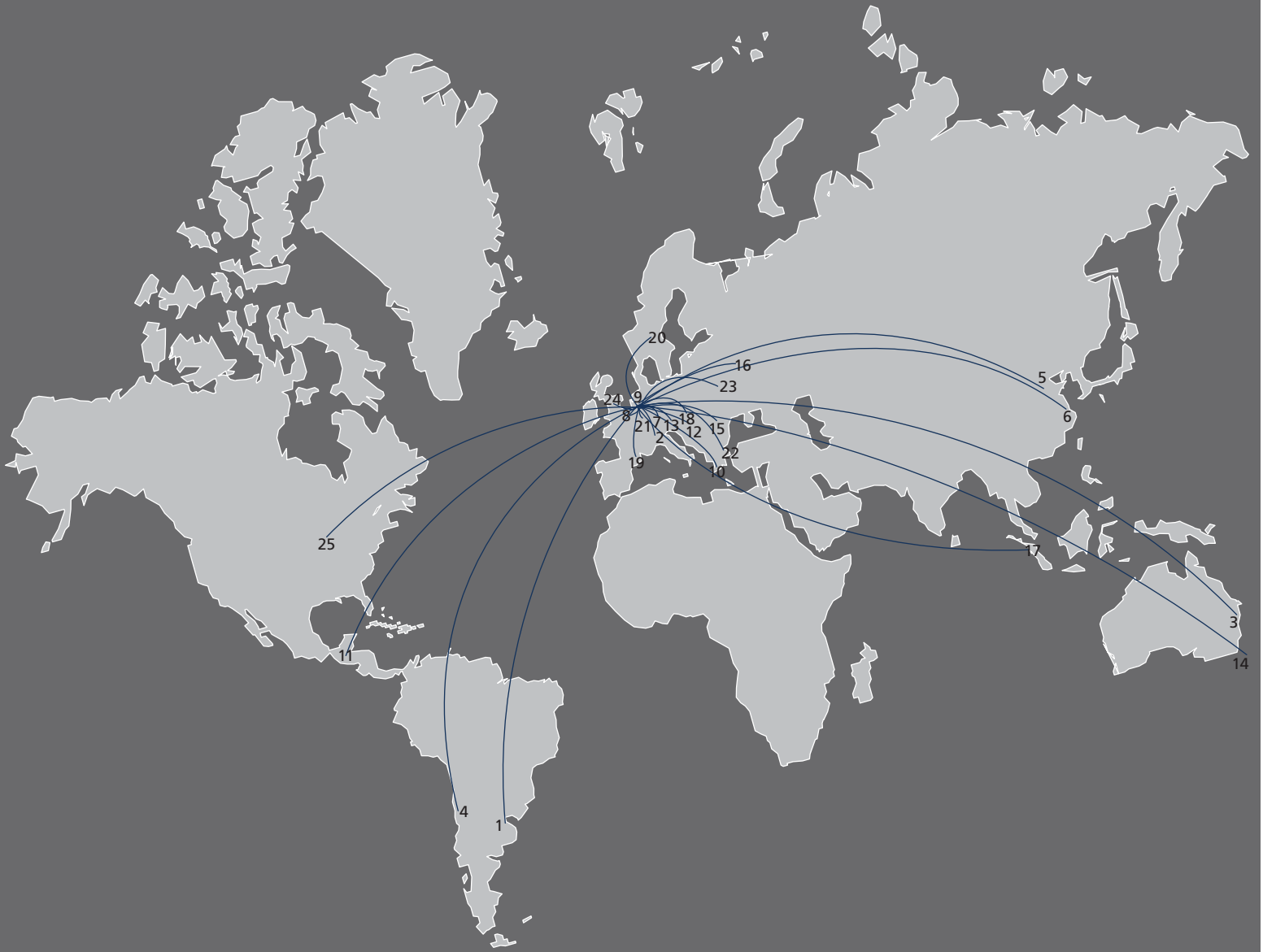
**WORKING AT DAYLIGHT MODULAR DESIGN**  
**FAST AVAILABILITY ECONOMIC**  
**SOLID AND SURE CONNECTION ELEMENTS**  
**CALCULABLE STORAGE AND TRANSPORT COSTS**  
**SIMPLE AND FAST ASSEMBLY**  
**ARBITRARILY EXPANDABLE BY GRID SYSTEM**  
**ECONOMIC REORGANIZATION VARIANTS**  
**FACADE- AND FLOOR SYSTEMS**  
**EXCELLENT PRICE-PERFORMANCE PAYOFF**  
**DIFFERENT LATERAL CLADDINGS**  
**PROFESSIONAL ADVICE IN ALL PROJECT PHASES**  
**CERTIFIED QUALITY AND SAFETY**  
**EXTENSIVE SERVICE AND SERVICE OFFERING**  
**VARIOUS RANGES OF APPLICATION**  
**LONG-STANDING KNOW-HOW OF QUALIFIED EMPLOYEES**  
**FLEXIBLE AND MODULAR EQUIPMENT**  
**ENGINEERED AND MADE IN GERMANY**  
**LONG-LASTING AND HIGH-QUALITY MATERIALS**  
**A TENT AND HALL SYSTEM OF RÖDER**

<p><b>ARGENTINA (RÖDER PARTNER) 1</b>            Roggerone SRL,            Av. Santa Fé 2665-1640 Martinez,            Pcia de Buenos Aires, Argentina            Fon + 54 11 47 92 54 22            Fax + 54 11 47 93 41 13            info@r-zs.com</p>	<p><b>CZECH REPUBLIC 7</b>            (RÖDER in Czech Republic)            Marie Kršňákové 119            403 17 Chabařovice, Czech Republic            Fon + 42 04 75 21 47 93 4            Fax + 42 04 75 21 47 93            www.roeder.cz            info@r-zs.com</p>	<p><b>ITALY (RÖDER Italia SRL) 13</b>            Bahnhofstrasse 27/a Via Stazione            IT-39042 Brixen, Italy            Fon + 39 04 72 83 09 39            Fax + 39 04 72 83 29 09            italia@r-zs.com</p>	<p><b>SWEDEN (RÖDER PARTNER) 20</b>            One4Event AB            Hemgatan 2            SE-78473 Borlänge, Sweden            Fon +46 24 37 94 36 0            Fax +46 24 37 94 36 9            www.one4event.com            info@r-zs.com</p>
<p><b>AUSTRIA (RÖDER in Austria) 2</b>            Mitteweg 8            AT-4175 Herzogsdorf, Austria            Fon + 43 7 23 13 30 93            Fax + 43 7 23 13 30 93            www.r-zs.at            info@r-zs.com</p>	<p><b>FRANCE (RÖDER France SARL) 8</b>            ZI No. 2 - 28, Allée Monge            FR-60 000 Beauvais, France            Fon + 33 3 44 02 88 77            Fax + 33 3 44 05 39 26            info@roder.fr</p>	<p><b>NEW ZEALAND (RÖDER PARTNER) 14</b>            H-Line Structures            9A Taylor Rd            NZ-Papamoa, Bay of Plenty 3118,            New Zealand            Fon +61 74 63 52 69 4            Fax +61 74 63 53 64 9            www.hlinestructures.com.au            info@r-zs.com</p>	<p><b>SWITZERLAND (RÖDER PARTNER) 21</b>            Orgatent AG            Gewerbe Badhus            CH-6022 Grosswangen, Switzerland            Fon + 41 4 19 80 49 39            Fax + 41 4 19 80 49 19            www.orgatent.ch            info@orgatent.ch</p>
<p><b>AUSTRALIA (RÖDER PARTNER) 3</b>            H-Line Structures Australia            P.O. Box 8009, Toowoomba            AU-4350 Queensland, Australia            Fon + 61 75 44 51 30 0            Fax + 61 75 44 58 02 7            www.hlinestructures.com.au            info@r-zs.com</p>	<p><b>GERMANY ( RÖDER ) 9</b>            Zelt- und Veranstaltungsservice GmbH            Am Lautenstein, 63654 Büdingen            Fon + 49 60 49 700 0            Fax + 49 60 49 700 339            www.r-zs.com            info@r-zs.com</p>	<p><b>ROMANIA (RÖDER in Romania) 15</b>            Str. Buzești Nr. 61, Et. 7, Ap. 48-49,            Sector 1,            RO-011013 Bukarest, Romania            Fon + 40 21 31 10 01 1            Fax + 40 21 31 10 01 1            www.roeder.ro            info@r-zs.com</p>	<p><b>TURKEY (RÖDER PARTNER) 22</b>            RÖDER Yapı Sistemleri San. Tic. Ltd. Sti            Yeniyl Sokak, No:16 Etap, Blokları,            A Blok 5. Kat, Daire:12 Acıbadem Kadıköy,            TR-34718 Istanbul, Turkey            Fon + 90 21 63 40 89 10            Fax + 90 21 63 40 89 15            www.roder.com.tr            info@roder.com.tr</p>
<p><b>CHILE (RÖDER PARTNER) 4</b>            Armando Pucci, General manager            of Bodegajes Temporales Limitada            Patricia Viñuela 578-C            CL-Lampa Santiago, Chile            Fon + 54 11 47 92 54 22            Fax + 54 11 47 93 41 13            www.armandopucci.cl            info@r-zs.com</p>	<p><b>GREECE (RÖDER PARTNER) 10</b>            Con.Tent Ltd.            Kifissias Avenue 198            GR-15231 Halandra-Athens, Greece            Fon + 30 21 06 75 47 20            Fax + 30 21 06 75 47 22            info@r-zs.com</p>	<p><b>RUSSIAN FEDERATION (RÖDER RUSSIA) 16</b>            RÖDER OOO            v. Chernaya Gryaz, 5A, Solnechnogorskiy area,            region moscow,            RU-141580 Moskau, Russian Federation,            Fon + 7 495 785 81 57            Fax + 7 495 785 81 58            www.roder.ru            roder@roder.ru</p>	<p><b>UKRAINE (RÖDER PARTNER) 23</b>            Tent Plettac Ltd.            Plodova Str., 1            UA-4128 Kyiv, Ukraine            Fon +38 044 400 0461            Fax +38 044 422 2145            www.tent-plettac.com            info@tent-plettac.com</p>
<p><b>CHINA (PEKING) 5</b>            RÖDER Tent Service (Beijing) CO., Ltd            Rm. 311 Sanchuan Dasha            3 Hepingli Xijie, Chaoyang Qu            100013 BEIJING, P. R. China            Fon + 86 10 64 40 55 - 71   -72            Fax + 86 10 64 40 52 19            www.roder-china.com            info@roder-china.com</p>	<p><b>GUATEMALA 11</b>            (RÖDER in Guatemala)            Apartado Postal 176 "C",            C.C. Metro 15 Zona 15            GT-01015 Guatemala C.A.,            Guatemala            Fon + 50 2 50 16 0 78 0            Fax + 50 2 23 69 8 55 0            info@r-zs.com</p>	<p><b>SINGAPORE (RÖDER PARTNER) 17</b>            SebSat pte Ltd.            Sebening Sattar Tent Events            52 Sungei Kadut Street 1, SG-729355            Singapore            Fon + 65 67 76 88 70            Fax + 65 67 76 87 73            info@r-zs.com</p>	<p><b>UNITED KINGDOM RÖDER UK Ltd. 24</b>            Unit 16 Earith Business Park            Meadow Drove, Earith, Cambridgeshire            GB-PE28 3QF, United Kingdom            Fon + 44 14 87 84 08 40            Fax + 44 14 87 84 08 43            www.roderuk.com            sales@roderuk.com</p>
<p><b>CHINA (SHANGHAI) 6</b>            RÖDER Tent Service (Shanghai) CO., Ltd            No. 3978 Hu Qingping Road,            Qingpu district,            CN-201703 Shanghai, China            Fon + 86 21 51 09 92 28            Fax + 86 21 39 81 26 07            www.roder-china.com            info@roder-china.com</p>	<p><b>HUNGARY 12</b>            RÖDER GmbH Magyarországi            Közvetlen Kereskedelmi, Képviselőte            Széchenyi tér 21-23 II/6            HU-6900 Makó,            Hungary   Magyarország            Fon + 36 62 21 20 71            Fax + 36 62 21 20 71            www.roeder.hu            info@r-zs.com</p>	<p><b>SLOVENIA (RÖDER PARTNER) 18</b>            Expo Biro Ltd., Puhova 20            SL-2000 Maribor, Slovenia            Fon + 38 62 48 05 80 0            Fax + 38 62 48 05 80 20            info@r-zs.com</p>	<p><b>USA (RÖDER PARTNER) 25</b>            Anchor Industries Inc.            1100 Burch Dr., P.O. Box 3477 Evansville,            Indiana 47733, USA            Fon +1 812 8672 421            Fax +1 812 8670 547            www.anchorinc.com            info@r-zs.com</p>
	<p><b>SPAIN (RÖDER PARTNER) 19</b>            Foro Técnico S.L., Orient 78-84            ES-08172 St. Cugat del Valles            Barcelona, Spain            Tel: +34 93 544 18 60            Fax: +34 93 544 18 61            www.forotec.com            info@r-zs.com</p>		

---

# RÖDER Worldwide

---





---

**RÖDER ZELT- UND VERANSTALTUNGSSERVICE GMBH  
AM LAUTENSTEIN, 63654 BÜDINGEN (GERMANY)**

**FON +49 6049 700 0  
FAX +49 6049 700 339**

**INFO@R-ZS.COM  
WWW.R-ZS.COM**



Mistakes, image errors, price alterations, technical modifications  
and dimension discrepancies reserved.